

**VAPORTIGHT**  
Series Exclusive Catalog



# INDEX

3	About Bock
4	How to Specify
5	Product Builder
6	Ordering Guide
7	Product Descriptions
8	VP/VX
9	VS/VST
10	VW/VWB
11	VS Shroud/Pontil
12-14	Vaportight Reflector Options
15	Globes & Guards
16	Mounting - Gooseneck
17	Mounting - Stem and Cord
18	Powder Coat Paint Colors
19	Cloth Cord Colors
20-22	Custom Mounting
23	Application Photos



## ABOUT BOCK

In 1918, my great grandfather Ben and his brothers started Spero Lighting/Spero Electric with a commitment to high-quality electrical and lighting products, innovation, and unparalleled customer service. For the next 3 generations, the torch passed down the family line, from my grandfather, Manny, to my father, Mitchell, to me, as our dedication to quality, service, and innovation persisted. In 2009, Bock Lighting acquired Spero Lighting and together we have continued to offer and advance the high-quality lighting products that my family created.

We have also successfully grown into other lighting product categories and now design and manufacture lighting for a number of different applications.

Ezra Spero  
President

### WHAT MAKES BOCK LIGHTING UNIQUE?

Bock Lighting delivers high-quality lighting fixtures, exceptional service, continuous innovation, great value, and the ability to fully customize a lighting solution.

### EXCEPTIONAL CUSTOMER SERVICE

Customers of Bock Lighting rave about the company's straightforward sales approach, scheduling flexibility and incredibly short lead times (standard products can be delivered in less than two weeks.) The entire Bock Lighting team is devoted to providing a satisfying experience and will go to great lengths to exceed our customers expectations.

### CONTINUOUS INNOVATION

Bock Lighting continues to innovate and improve its products to incorporate industry advancements in materials and technology, without compromising the aesthetics and integrity of the fixtures. Fixtures are compatible with a number of lamp types including LED light sources that offer increased fixture efficiency, long product life, and smooth and even light distribution.

### IMPRESSIVE CUSTOM LIGHTING SOLUTIONS

Designers often turn to Bock Lighting to create fully custom lighting solutions for their projects. From a special color to a unique mounting type or tailored reflector design, every aspect of the lighting fixture can be modified. This incredible flexibility in customization is made possible by the talent and dedication of the Bock team and the company's local manufacturing facility. All Bock Lighting fixtures are manufactured and assembled in Cleveland, Ohio.



# HOW TO SPECIFY A VAPORTIGHT FIXTURE

## 1 SELECT VAPORTIGHT

- a. Select from VP, VS, VST, VW, VWB, VS Shourd, Pontil or VX Series.
- b. Color choice required. Color finish also available in raw die cast.

## 2 SELECT LIGHT SOURCE

- a. Standard Medium Base
- b. GU24 Socket
- c. LVXV1- LED choose Lumens and Kelvins.

## 3 SELECT ACCESSORIES

- a. Accessory Options - some accessories may not be compatible with certain builds
  - i. Lens
  - ii. Cast Guards
  - iii. Wire Guards
- b. Color choice required

## 4 (IF APPLICABLE) SELECT REFLECTOR

- a. Reflectors are compatible with VS, VP, Pontil and VX Series
- b. Color choice required

## 5 SELECT MOUNTING

- a. Select Mounting option. Goosenecks, Cord, Stem and other options.
- b. Color choice required

## 6 SELECT COLOR FINISH

- a. Fixtures come standard with Powder Coat Finish
- b. Bock offers over 30 color finishes in High Quality Polyester Powder Coating for indoor/outdoor use.

### VP215-G28

Pendant Series  
& Color  
in Sun Gold



### MED5

Light Source  
Medium  
Base



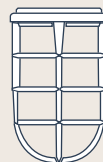
### 41PR

Accessory - Lens  
41Globe  
in Prismatic



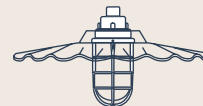
### 31DG-G28

Accessory - Guard  
Die Case Guard  
in Sun Gold



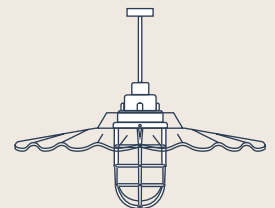
### RW20-G28

Reflector  
Radial Wave  
in Sun Gold




### 643-10ft-G28-CBK


Mounting  
Cloth Cord 10ft, in Sun  
Gold with Black Cord



## CROSS REFERENCING

Have a different product code, or need an alternative, call or eMail Bock, for assistance.

 216-912-7050

 FAX to 216-912-7051

 SALES@BOCKLIGHTING.COM

## PRODUCT BUILDER

Use the Product Builder to generate a PDF to share with your design team. Only valid product configurations will be created by the Product Builder, eliminating the guess work and potential errors from the specification process.



### HOW TO

Begin on [www.BockLighting.com/create](http://www.BockLighting.com/create)

Step 1 • Select Vaportight Style

Step 2 • Select Select Lamp Type

Step 3 • Select Accessories  
(Wireguard, Jelly Jar, Lens, etc.)

Step 4 • Select Reflector (If applicable)

Step 5 • Select Mounting (If applicable)

Step 6 • Select Color Finishes  
(Add project details to your spec sheet)

Step 7 • Save this Build  
(You now have a custom PDF spec sheet)

Download PDF and Send

Watch a short tutorial at [www.bocklighting.com/support/website](http://www.bocklighting.com/support/website)  
Visit the Product Builder to build your own spec.

# VAPORTIGHT SERIES ORDERING GUIDE

Sample Part Number:

VP215-G28 / MED5 / 41PR / 31DCG-G28 / RW16-G0 / 643-10FT-G28-CBK

Fixture	Lamp Type	Globe	Guard	Reflector	Mounting
<b>A. FIXTURE</b>			<b>D. GUARD OPTION (OPTIONAL)</b>		
VP – Pendant		(pg. 8 for options)	<b>No. Description</b>	<b>Guard Size</b>	
VS –Surface Mount*		(pg. 9 for options)	<b>Die-Cast Guard</b>	31DCG/ 32DCG	
VST –Stanchion Mount *		(pg. 9 for options)	<b>Wire Guard</b>	31WG/ 32WG	
VW –Wall Mount*		(pg. 10 for options)	* Lexan not compatible with die cast or wire guard		
VX –Surface Box Mount*		(pg. 8 for options)	*41globe uses 31guard		
VWB –Wall Mount		(pg. 10 for options)	*42 globe uses 32 guard		
VS Shroud –Wall Mount		(pg. 11 for options)	Requires color choice (see pg. 18)		
Pontil –Surface			Example: 31DG-G28(31Die Cast Guard in Sun Gold)		
* Mounting not available Requires color choice (see pg. 18) Example: VP215-G28(VP with 1/2in hub in Sun Gold)			<b>E. REFLECTOR OPTION (OPTIONAL)</b>		
<b>B. LAMP TYPE</b>			<b>Dome (DR16)</b> (pg. 11for options)		
MED	Standard Medium Base E26		<b>Cone (CR15)</b> (pg. 11for options)		
GU24	GU24 Socket		<b>Deep Bowl (DB4)</b> (pg. 11for options)		
LVXV1	LVXV1(Indoor/Outdoor)		<b>Angle (AR14)</b> (pg. 12 for options)		
	Lumens: 1250, 1500, 1700, or 2000lms		<b>Radial Wave (RW16),(RW20)</b> (pg. 12 for options)		
	Kelvins: 27, 30, 35, 40K		<b>VPC (AR14)</b> (pg. 12 for options)		
	LVXV1-___LM-___K*select Lumens and Kelvins		<b>ZA (ZA08), (ZA10), (ZA12), (ZA14), (ZA16)</b> (pg. 12 for options)		
			<b>VRM Series</b> (pg. 13 for options)		
			<b>VRT Series</b> (pg. 13 for options)		
			Requires Color Choice (see pg. 18)		
			Finish: iGXX for interior color / eGXX for exterior color		
			EX:iG1:interior - White / eG28: exterior - Sun Gold		
			VR Style color of Exterior and Guard must be the same		
			Example: RW16-G0(16in. Radial Wave Pendant in Black)		
			<b>F. MOUNTING (OPTIONAL)</b>		
			<b>CORD</b>	643-10ft, 643-20ft, VP215 and VP230 only See pg. 18 for cord color	
			<b>GOOSENECK</b>	GN10K, GN22H, GN23A, GN25J, or GN30C compatible with VP315 and VP330 only See pg. 15 for details	
			<b>STEM</b>	640-2, 640-3, 642-2, or 642-3 If using 640-2 or 642-2 = 1/2in Hub Size If using 640-3 or 642-3 = 3/4in Hub Size ST2 or ST3 Stem Length Options: 12in, 24in, 36in, 48in, 60in, 72in, or 96in EX: 640-50-GXX / ST2-(Stem Length)-GXX	
			Requires Color Choice (see pg. 18)		
			Options and Details (see pg. 17)		
			Example: 643-10ft-G28-CBK (643 Canopy in Sun Gold with 10ft Black cord)		
			<b>Looking for more mounting options? Check out the Bock Lighting website!</b>		
			For custom fixtures or questions about the products please email  SALES@BOCKLIGHTING.COM		
<b>C. GLOBE TYPE AND SIZE</b>					
<b>Globe Size</b>	<b>No. Description</b>				
41/42	CAM – Amber Glass				
41/42	CBL – Blue Glass				
41/42	C – Clear Glass*				
41/42	F – Frost				
41/42	CGN – Green Glass				
41/42	PR – Prismatic Glass				
41/42	COP – Opal Glass				
41/42	CRD – Red Glass				
41/42	L – Clear Lexan*				
41/42	LAM – Amber Lexan*				
41/42	LBL – Blue Lexan*				
41/42	LGN – Green Lexan*				
41/42	LOP – Opal Lexan*				
41/42	LPR – Prismatic Lexan*				
41/42	LRD – Red Lexan*				
			* Lexan not compatible with die cast or wire guard		
			Example: 41PR(41Globe in Prismatic)		

## PRODUCT DESCRIPTION

**CONCEPT:** Numerous industrial and commercial applications where traditional fixtures might be too vulnerable, or a location with excess moisture and harsh conditions. Use vaportights for: car washes, wineries, breweries, construction sites, and more. May be mounted to a variety of Bock mounting systems including stems, cord sets, gooseneck type wall brackets and pole top.

### LAMP TYPE:

Medium Base Socket: Up to 150W for 41glass globes. Up to 300W for 42 size glass globes.  
(see pg. 15 for globes)

GU24 Socket: 15W for 41glass globes. 26W for 42 size glass globes.  
(see pg. 15 for globes)

LVXV1 – indoor/outdoor

Lumens: 1250 (10W), 1500 (12W), 1700 (14W), or 2000 (16W) Kelvins: 27, 30, 35, 40, 50K  
120-277v, 0-10v Dimming down to 5%

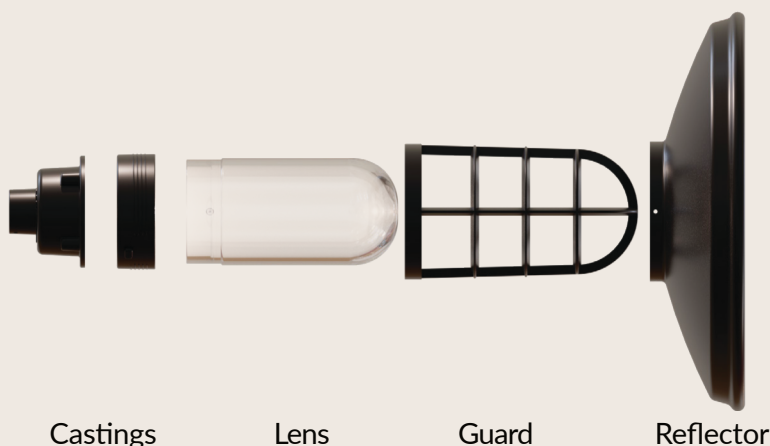
**FINISH:** Select from 30+ Powder Coat colors. (See pg. 18 for Powder Coat Options)

**GUARD:** Threaded, die-cast aluminum with stainless steel, or wire guard headless hex type set-screw.

**LENS:** Threaded for easy maintenance. Lens made from glass or Lexan™ plastic. Glass globe options: Frost, Clear, Prismatic, Opal, Amber, Blue, Green, or Red. Lexan globe options in Clear, Prismatic, Opal, Amber, Blue, Green, or Red. Cast guard option is not available with Lexan globes. See pg. 14 for a complete list of lens, guards, and globes.

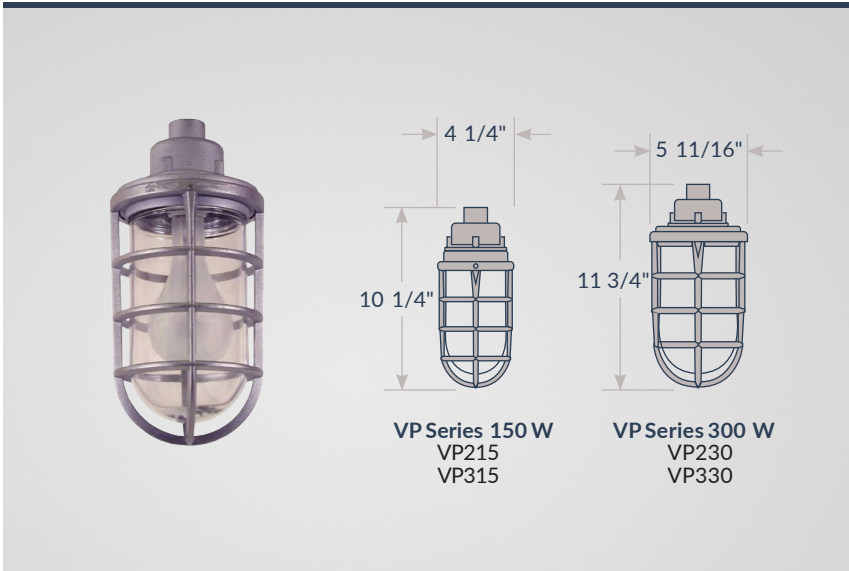
**REFLECTOR:** Optional reflector options include Dome, Cone, Angle, Deep Bowl and Radial Wave. VR Series and styles mount off guard.

**CERTIFICATION:** cULus Listed, Wet Rated. Mounting may have impact on wet listing.



# PRODUCT DIMENSIONS

## VP-Pendant



### VP Series 150 W

VP215	Diameter: 4.25in Height: 10in Hub Size: 1/2in
VP315	Diameter: 4.25in Height: 10in Hub Size: 3/4in

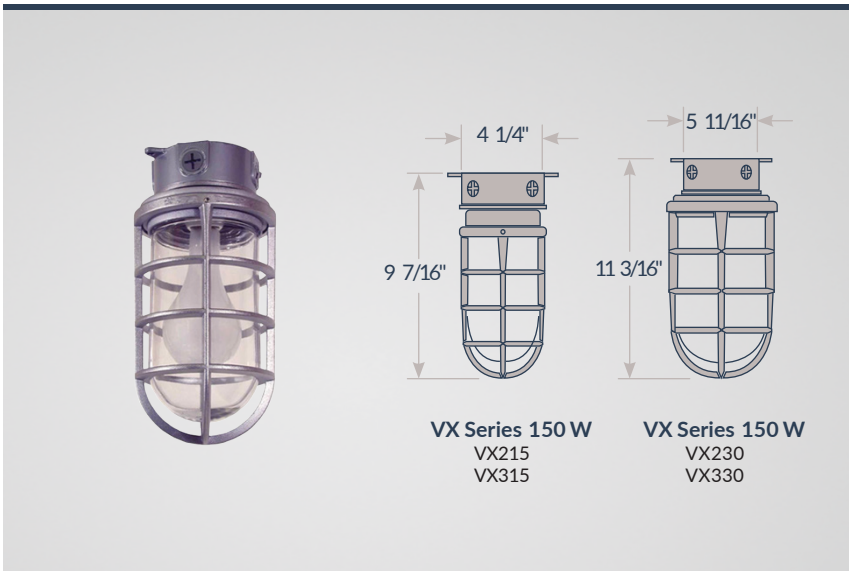
### VP Series 300 W

VP230	Diameter: 5.75in Height: 11.75in Hub Size: 1/2in
VP330	Diameter: 5.75in Height: 11.75in Hub Size: 3/4in

**LAMP TYPE** LED- LVXV1indoor/outdoor, Medium Base, GU24

**MOUNTING** Cord (1/2" NPT), or Stem (1/2" or 3/4"), or Gooseneck

## VX-Surface Mount



### VX Series 150 W

VX215	Diameter: 4.25in Height: 9.5in Outlet Size: 1/2in
VX315	Diameter: 4.25in Height: 9.5in Outlet Size: 3/4in

### VX Series 300W

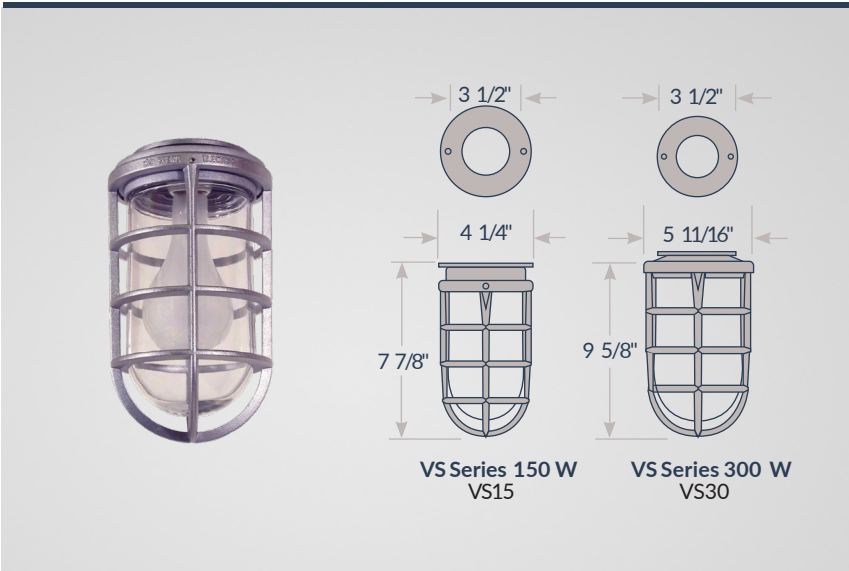
VX230	Diameter: 5.75in Height: 11.25in Outlet Size: 1/2in
VX330	Diameter: 5.75in Height: 11.25in Outlet Size: 3/4in

**LAMP TYPE** LED- LVXV1indoor/outdoor, Medium Base, GU24

**MOUNTING** Comes with surface box

# PRODUCT DIMENSIONS

## VS-Surface Mount



### VS Series 150 W

VS15 | Diameter: 4.25in Height: 8in

### VS Series 300W

VS30 | Diameter: 5.75in Height: 9.75in

**LAMP TYPE** | LED - LVXV1 indoor/outdoor, Medium Base, GU24

**MOUNTING** | 4in octagon box

## VST-Stanchion Mount



### VST Series 150 W

VST15 | Diameter: 4.25in Height: 8in  
Total Length: 11in  
Tilt Degree: 30°

### VST Series 300 W

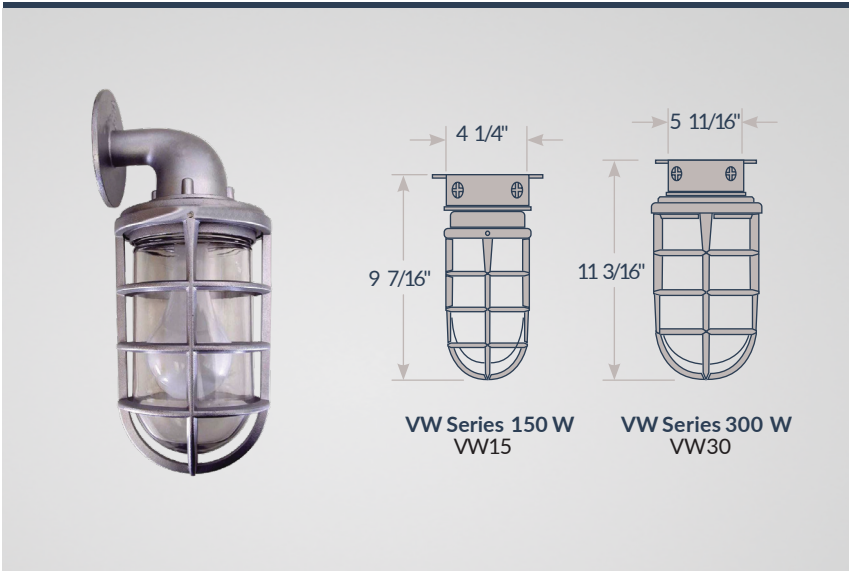
VST30 | Diameter: 5.75in Height: 9.75in  
Total Length: 11in  
Tilt Degree: 30°

**LAMP TYPE** | LED - LVXV1 indoor/outdoor, Medium Base, GU24

**MOUNTING** | Pole mounted. Use on pole/slips

# PRODUCT DIMENSIONS

## VW-Wall Mount



### VW Series 150 W

VW15 | Diameter: 5.5in | Height: 12.5in

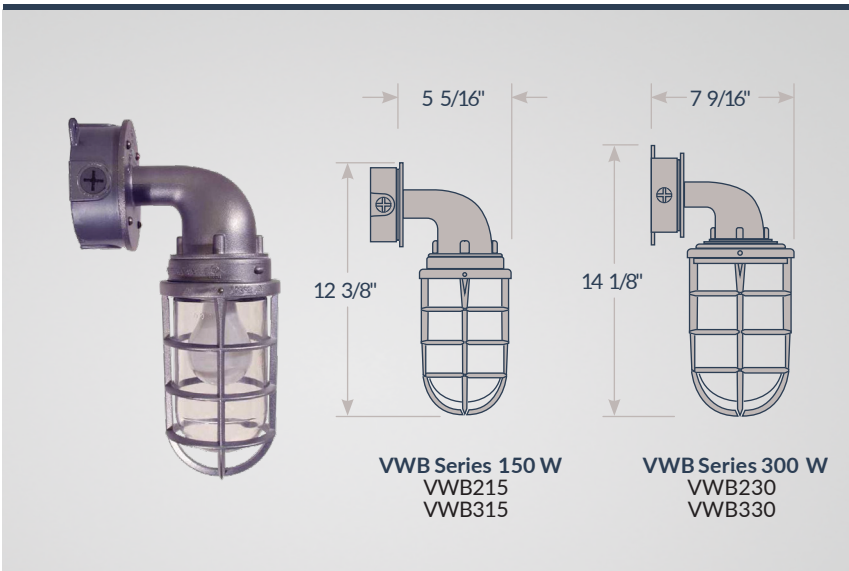
### VW Series 300W

VW30 | Diameter: 6in | Height: 14.25in

**LAMP TYPE** | LED - LVXV1 indoor/outdoor, Medium Base, GU24

**MOUNTING** | 4in octagon box

## VWB-Wall Mount



### VWB Series 150 W

VWB215 | Diameter: 5.5in | Height: 12in | Outlet Size: 1/2in

VWB315 | Diameter: 5.5in | Height: 12in | Outlet Size: 3/4in

### VWB Series 300 W

VWB230 | Diameter: 7in | Height: 14in | Outlet Size: 1/2in

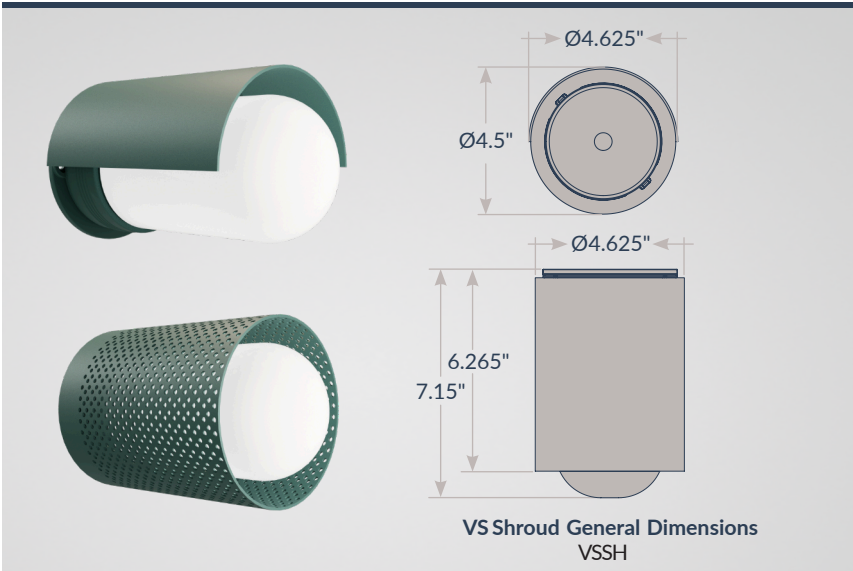
VWB330 | Diameter: 7in | Height: 14in | Outlet Size: 3/4in

**LAMP TYPE** | LED - LVXV1 indoor/outdoor, Medium Base, GU24

**MOUNTING** | Comes with surface box

# PRODUCT DIMENSIONS

## VS-Shroud Wall Mount



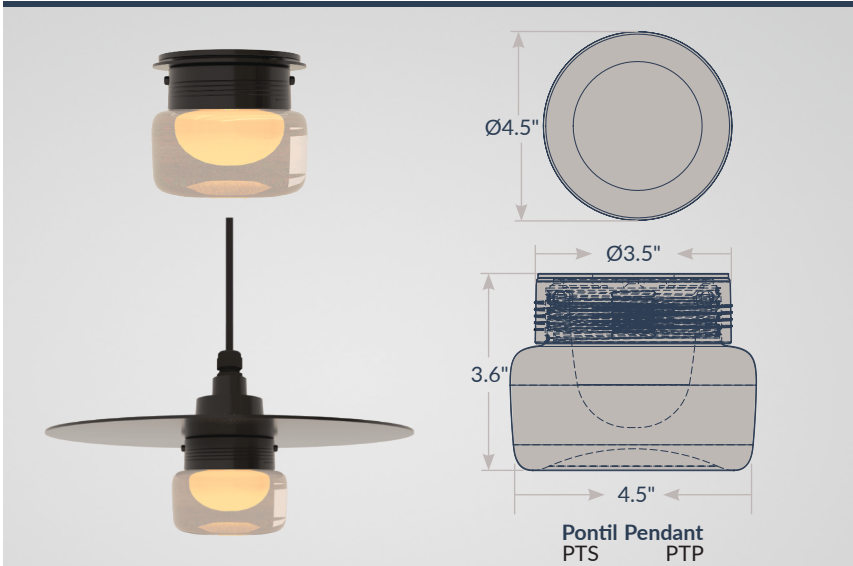
### VS Shroud

VSSH | Diameter: 4.625in Height: 7.15in

**LAMP TYPE** LED- LVXV1indoor/outdoor, Medium Base, GU24

**MOUNTING** Standard J-box

## Pontil - Surface/Pendant



### Pontil Surface / Pendant

PTS | Diameter: 4.5in Height: 3.6in  
Total Length: 4.5in

PTP | Diameter: Discs can range from 12"-36"

**LAMP TYPE** LED- LVXV1indoor/outdoor, Medium Base, GU24

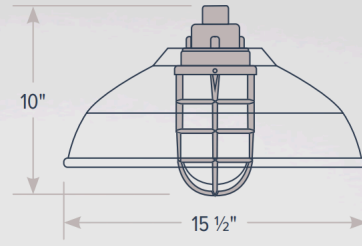
**MOUNTING** Cord mounted. 1/2" NPT stem or 3/4" NPT stem.

## REFLECTOR OPTIONS

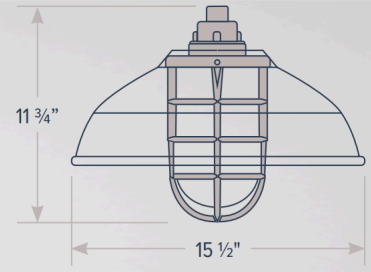
COMPATIBLE WITH VP, VS, AND VX SERIES



16" DOME REFLECTOR(DR16)



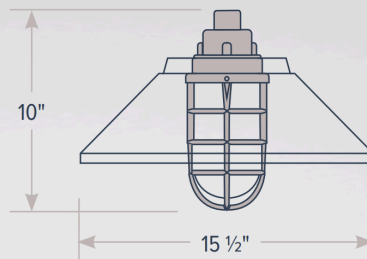
150W Series



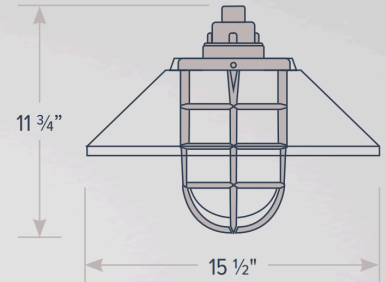
300W Series



15" CONE REFLECTOR(CR15)



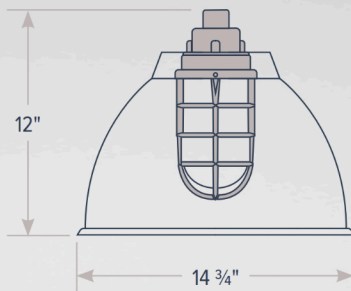
150W Series



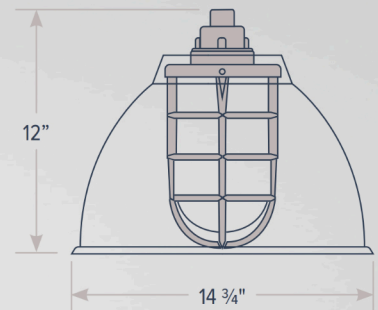
300W Series



14" DEEPBOWL (DB14)



150W Series



300W Series

# REFLECTOR OPTIONS

COMPATIBLE WITH VP, VS, AND VX SERIES

**14" ANGLE REFLECTOR (AR14)**

Technical drawings for 150W Series and 300W Series. Dimensions include a width of 11 3/16", a height of 14 1/16" for the 150W and 14 5/8" for the 300W, and a depth of 14 1/2".

**RADIAL WAVE (RW16), (RW20)**

Technical drawings for 150W Series and 300W Series. Dimensions include a height of 10" for the 150W and 11 3/4" for the 300W, and widths of 15 1/2" and 19 3/4" respectively.

**12" VPC (VPC)**

Technical drawings for 150W Series and 300W Series. Dimensions include a height of 9.7" for the 150W and 10.3" for the 300W, and a diameter of Ø12".

**ZA REFLECTOR (ZA08), (ZA10), (ZA12), (ZA14), (ZA16)**

Technical drawings for 150W Series and 300W Series. Dimensions include a height of 10.1" and a diameter of Ø16.4".

# REFLECTOR OPTIONS

COMPATIBLE WITH VP, VS, AND VX SERIES

## VRM – Middle Mount



AVAILABLE SIZES		
	DIAMETER	HEIGHT
VRM-A12	12.5in	10.25in
VRM-A14	14.5in	10.25in
VRM-A16	16.5in	10.25in
VRM-B12	12.5in	10.25in
VRM-B14	14.5in	10.25in
VRM-B16	16.5in	10.25in
VRM-C12	12.5in	10.25in
VRM-C14	14.5in	10.25in
VRM-C16	16.5in	10.25in
VRM-C18	18.75in	11.25in
VRM-C20	20.25in	11.75in
VRM-D12	12.5in	10.25in
VRM-D14	14.5in	10.25in
VRM-D16	16.5in	10.25in
VRM-D18	18.5in	10.75in

Note: only compatible with 41Jelly Jar - 1/2" and 3/4".

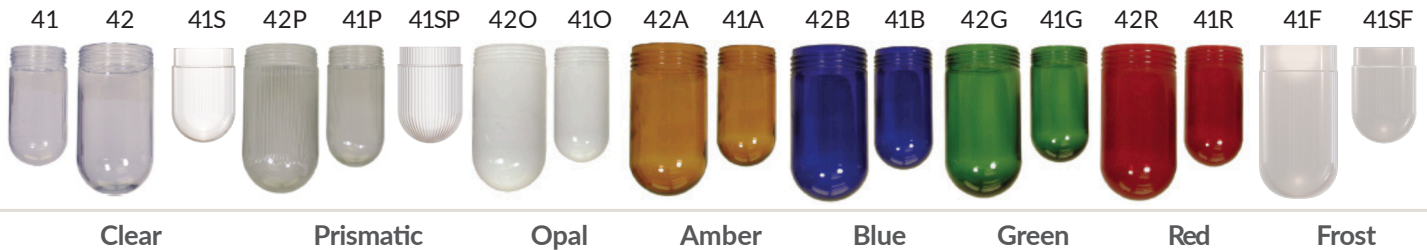
## VRT – Top Mount



AVAILABLE SIZES		
	DIAMETER	HEIGHT
VRT-A12	12.5in	10.25in
VRT-A14	14.5in	10.25in
VRT-A16	16.5in	10.25in
VRT-B12	12.5in	10.25in
VRT-B14	14.5in	10.25in
VRT-B16	16.5in	10.25in
VRT-C12	12.5in	10.25in
VRT-C14	14.5in	10.25in
VRT-C16	16.5in	10.25in
VRT-C18	18.75in	11.25in
VRT-C20	20.25in	11.75in
VRT-D12	12.5in	10.25in
VRT-D14	14.5in	10.25in
VRT-D16	16.5in	10.25in
VRT-D18	18.5in	10.75in

# GLOBE & GUARD OPTIONS

## Glass Globes



## Lexan Globes

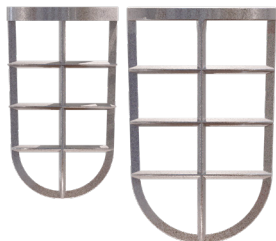


Threaded globes fit Bock and other standard Vaportight fixtures. Colors available for signaling or decorative applications. Mix colored globes with Vaportight fixture finishes for unique color combinations. Lexan globes are made of UV protected polycarbonate.

MAXIMUM WATTAGE	MEDIUM BASE (W)		LED (W)		GU24 (W)	
	41 GLOBE	42 GLOBE	41 GLOBE	42 GLOBE	41 GLOBE	42 GLOBE
Clear or Prismatic Glass	150	300	16	16	15	26
Colored Glass	100	200	16	16	15	26
Clear or Prismatic Lexan	75	150	16	16	15	26
Colored Lexan	60	75	16	16	15	26

## Guards

### DIECAST GUARD



31DCG 32DCG

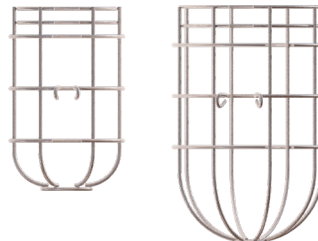
#### SMALL

Width: 4.2in  
Height: 7.3in

#### LARGE

Width: 5.7in  
Height: 9in

### WIRE GUARD



31WG

32WG

#### SMALL

Width: 4.1in  
Height: 7in

#### LARGE

Width: 5.8in  
Height: 9.1in

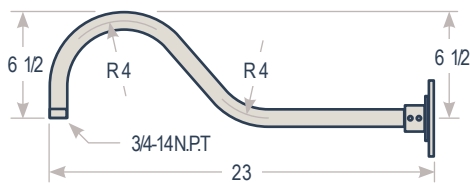
# MOUNTING GOOSENECKS

## FOR OUTLET BOX AND WALL MOUNTING

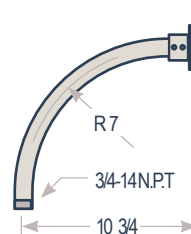
Gooseneck brackets are designed for recessed box or surface outlet box mounting. The bracket end slips into the cast box cover plate (wall end is not threaded). The gooseneck pipe may be cut down in the field to shorten bracket length. Listed for Wet Locations provided they are installed in accordance with local and national codes. If installed outdoors use a thread sealant on fixture end threads to prevent water entry.

Note - Gooseneck mounting compatible with VP315 and VP330. For more options go to [Bocklighting.com](http://Bocklighting.com)

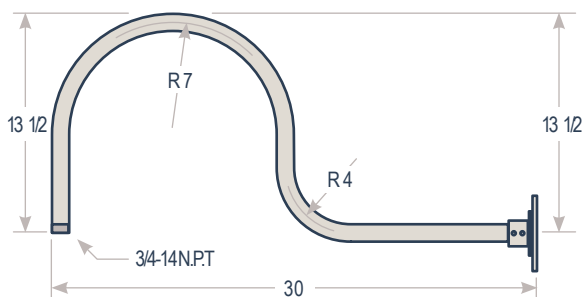
SC-GN23A



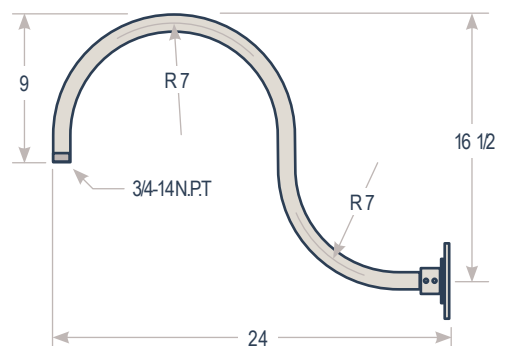
SC-GN10K



SC-GN30C



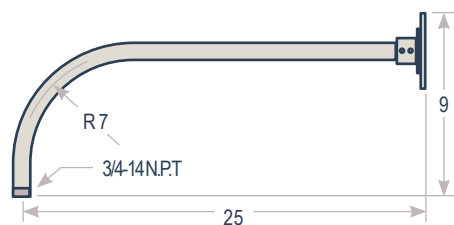
SC-GN24D



SC-GN22H



SC-GN25J



# MOUNTING OPTIONS

## 640 CANOPY



Stem mounting available for 1/2" and 3/4" N.P.T. pipe. Canopy is held in place with a slip ring. Canopy is 5 5/8" Dia. x 1" deep. Kit for mounting to 4" octagon box included. To order stems see below. Reflectors ordered with stems and canopies are factory wired and are suitable for damp location. Be sure thread sizes of canopy, stem and reflector hub all match.

**NOTE:** If installed outdoors use a thread sealant on all threads.

640-2 = 1/2" NPT Canopy

640-3 = 3/4" NPT Canopy

**Building Part:** 640-NPT-Color

## 642 CANOPY



Stem aligner is 5 5/8" Dia. x 1" deep. Self aligning aluminum die cast aligner fits 4" octagon box or Bock cast boxes and accommodates 1/2" or 3/4" N.P.T. pipe. Maximum travel 45°. Be sure thread size of canopy, stem and reflector hub all match.

**NOTE:** If installed outdoors use a thread sealant on all threads.

642-2 = 1/2" NPT Canopy with Aligner

642-3 = 3/4" NPT Canopy with Aligner

**Building Part:** 642-NPT-Color

## STEMS

Pipe 1/2" or 3/4" threaded N.P.T. both ends.

Stem Length	Cat.# Stem Size	
	1/2" Pipe	3/4" Pipe
12"	ST2-12	ST3-12
24"	ST2-24	ST3-24
36"	ST2-36	ST3-36
48"	ST2-48	ST3-48
60"	ST2-60	ST3-60
72"	ST2-72	ST3-72
96"	ST2-96	ST3-96

Additional lengths available on request, Consult Factory.

If installed outdoors use a thread sealant on all threads. Be sure thread size of reflector and stem both match.

**Building Part:** Thread Size-StemLength-Color

## 630C CANOPY



Cord suspension with canopy permanently attached with 2 mounting screws. Supplied with 10' of 18 gauge cord. Canopy is 5" Dia. x 0.375" deep. Kit for mounting to 4" octagon box and SRW strain relief included.

**Building Part:** 630C-Color-Cord Color

# STANDARD POWDER COAT COLORS

## What is Powder Coating?

Powder coating is the process of coating a surface in which a powder is electrically charged to metal. The applied powder is then heated (cured) to its melting point. It flows to form a smooth film which cools to a firm, durable finish very resistant to scratches, cracking, peeling, UV rays, and rust.



## NEW Standard Finishes - Earth Palette!

These warm muted colors are inspired by the Earth's natural hues! This new standard palette conveys warmth and comfort. Perfect for your next design project, these Earth tones can be used in rustic & traditional projects but can also be integrated into modern & minimalist designs!



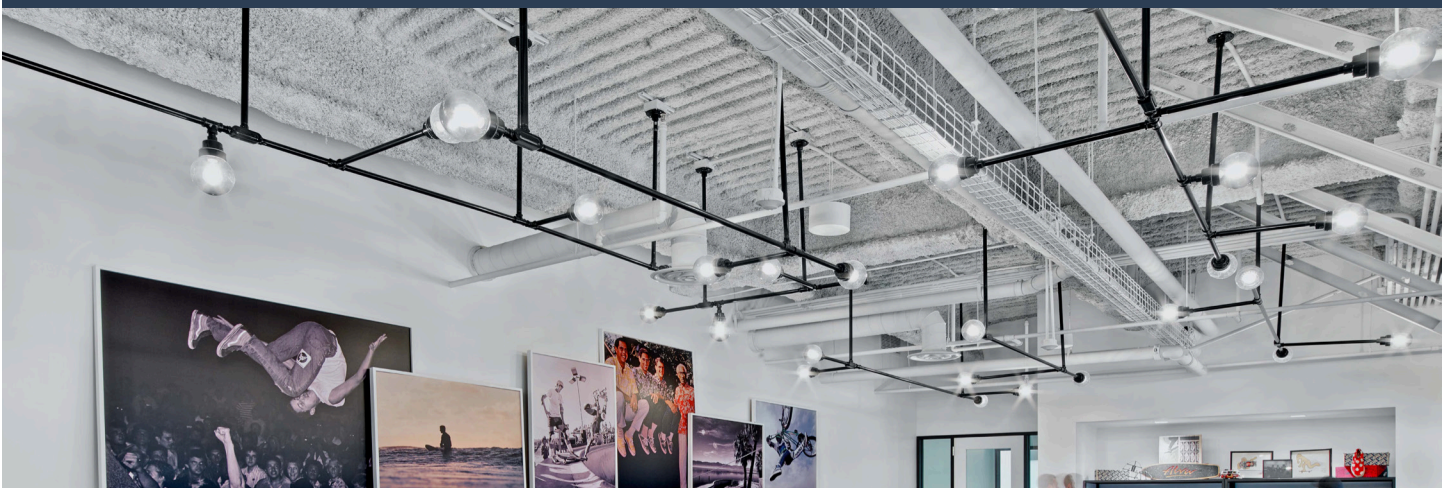
The printed color samples shown are subject to various effects of printing and may vary slightly from the actual painted product. Color swatches available upon request.

# CLOTH CORD COLORS



 <b>CBK</b> Standard - Black	 <b>CWH</b> Standard - White	 <b>CSL</b> Standard - Clear	 <b>CCRB</b> Royal Blue
 <b>CCMC</b> 24 Mixed	 <b>CCBK</b> Black	 <b>CCBW1</b> Black/White 1	 <b>CCWB</b> White & Black Cross
 <b>CCBW</b> Black & White Cross	 <b>CCBY</b> Black/Yellow	 <b>CCBB</b> Blue/Black	 <b>CCTR</b> Turquoise
 <b>CCBR</b> Brass	 <b>CCBP</b> Bright Pink	 <b>CCBO</b> Brown	 <b>CCWR</b> Wine Red
 <b>CCCO</b> Coffee	 <b>CCFG</b> Forrest Green	 <b>CCGO</b> Gold	 <b>CCWH</b> White
 <b>CCGR</b> Green	 <b>CCGBB</b> Green Blue Brown Mix	 <b>CCGE</b> Grey	 <b>CCYE</b> Yellow
 <b>CCLB</b> Light Blue	 <b>CCLG</b> Lime Green	 <b>CCNY</b> Neon Yellow	 <b>CCPR</b> Pastel Purple
 <b>CCDG</b> Olive Green	 <b>CCOR</b> Orange	 <b>CCPP</b> Pastel Pink	 <b>CCPU</b> Pastel Purple
 <b>CCRD</b> Red			

The printed color samples shown are subject to various effects of printing and may vary slightly from the actual painted product. Color swatches available upon request.



VP215 Double



GNX-1119-48IN-12



## A CUSTOM OF CUSTOMIZATION

At Bock, customized projects aren't exceptions, they're business as usual. We recognize that each project has its own unique challenges and demands. Bock Lighting regularly works with clients to develop custom solutions.

Our product design, manufacturing know how, and materials all combine to make products that are unparalleled Bock Lighting can manufacture custom fixtures from acrylic injection molded plastic, blown glass, or aluminum.

HQ00031



GNX-1142-12



VP25-CHN



• Custom  
• Canopy  
• Vaportight



Pontil-S-18



Wood Pontil



GNX-1098-18



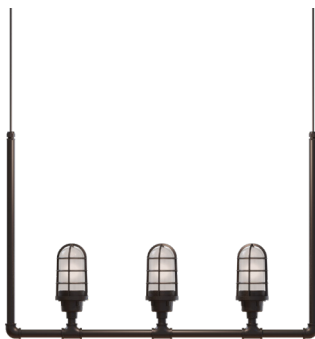
WIREFRAME VP215  
31WG



GN24D



GNX-1131-3x-6



GNX-1093-ISLAND-12-24



GNX-1117-3x-24



GNX-1067-2x-24-48



**APPLICATION PHOTOS**





## Your project is our passion!


---

Custom Fixtures  
Decorative Commercial  
Indoor Commercial  
Outdoor Commercial  
RLM Reflectors

 [BOCKLIGHTING.COM](http://BOCKLIGHTING.COM)

 [SALES@BOCKLIGHTING.COM](mailto:SALES@BOCKLIGHTING.COM)

 2476 EDISON BLVD, TWINSBURG,  
OHIO 44087

 216-912-7050